

System Components

FULL RANGE OF COUPLINGS AND DRIVE SHAFTS SO YOU CAN BUILD COMPLETE JACKING SYSTEMS.

PAGE 3.....Rigid Couplings



[SERIES MC / IC]

PAGE 4.....Flexible Jaw Couplings



[SERIES PJUS]

PAGE 5-6.....Floating Shafts Self Supporting

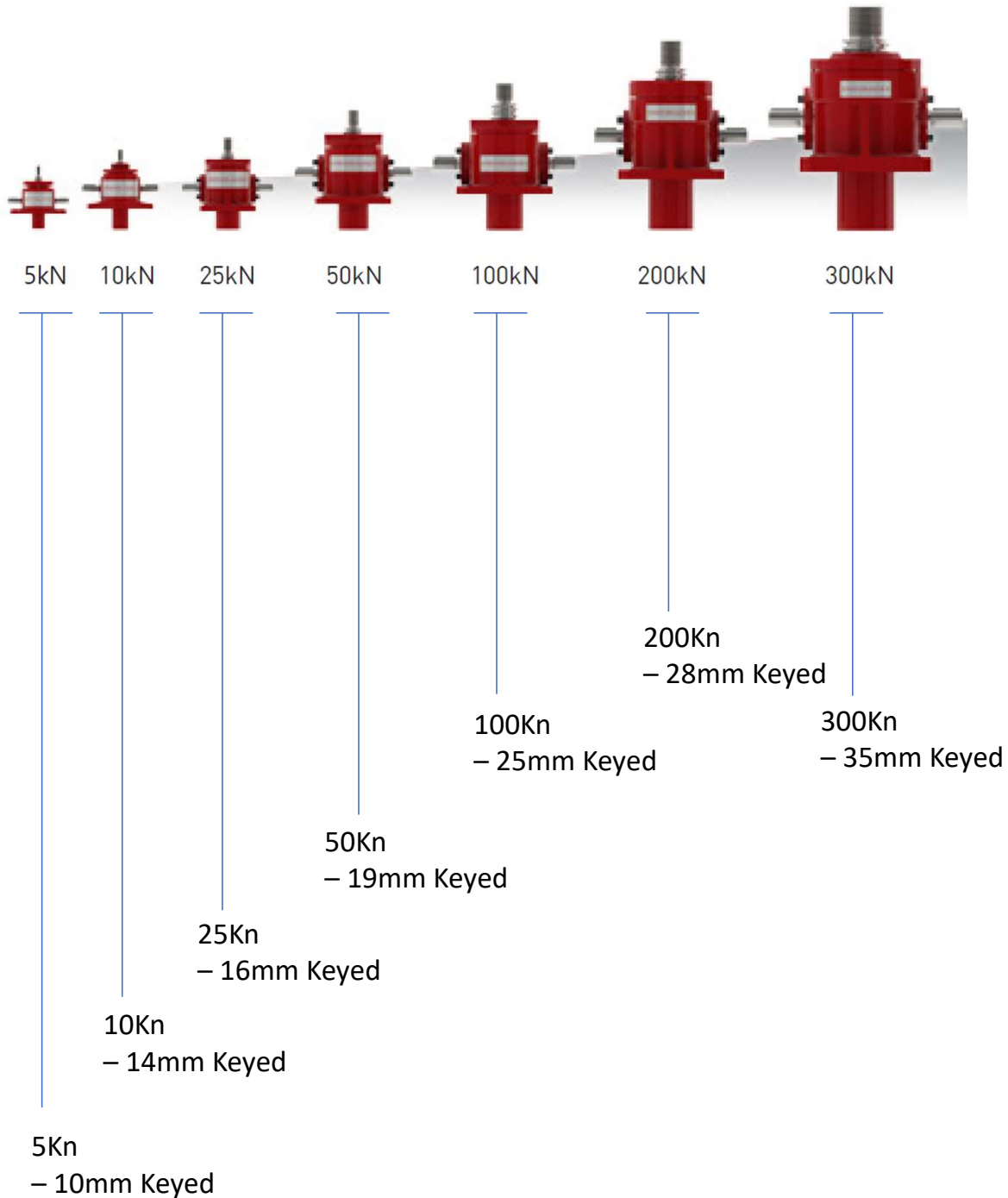
[SERIES TT]



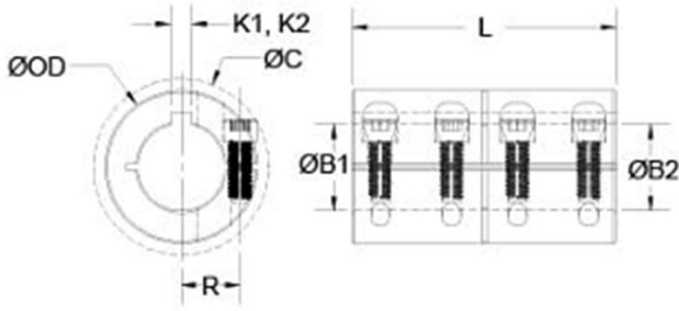
PAGE 7.....Pillow Blocks

[SERIES PJUS-PB20STD]

E-Series -



POWERKITS (page 3)
RIGID COUPLINGS [SERIES MC/IC]



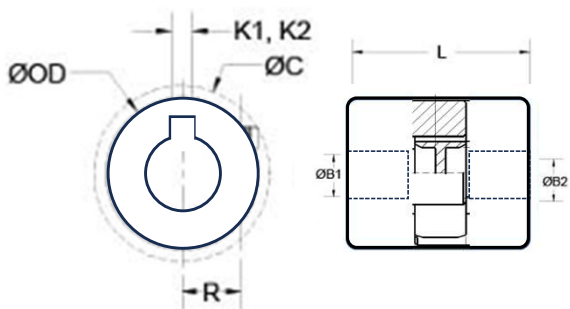
Metric Units

*C= Clearance Diameter

<u>Part Number</u>	<u>Rated Torque</u>	<u>Max Speed</u>	<u>OD</u>	<u>B1</u>	<u>K1</u>	<u>B2</u>	<u>K2</u>	<u>C</u>	<u>L</u>	<u>R</u>
MC29-10000K-10000K	105 Nm	4000 rpm	29	10	3	10	3	33	45	10.6
MC34-14000K-14000K	200 Nm	4000 rpm	34	14	5	14	5	39.4	50	12.0
MC34-16000K-16000K	200 Nm	4000 rpm	34	16	5	16	5	39.4	50	12.0
IC38-19000K-19000K	360 Nm	4000 rpm	38	19	3/16"	19	3/16"	46.8	57	13.8
MC45-25000K-25000K	400 Nm	4000 rpm	45	25	8	25	8	51.5	75	16.9

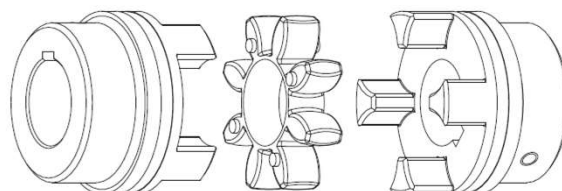
POWERKITS (page 4)

FLEXIBLE JAW COUPLINGS [SERIES PJUS]

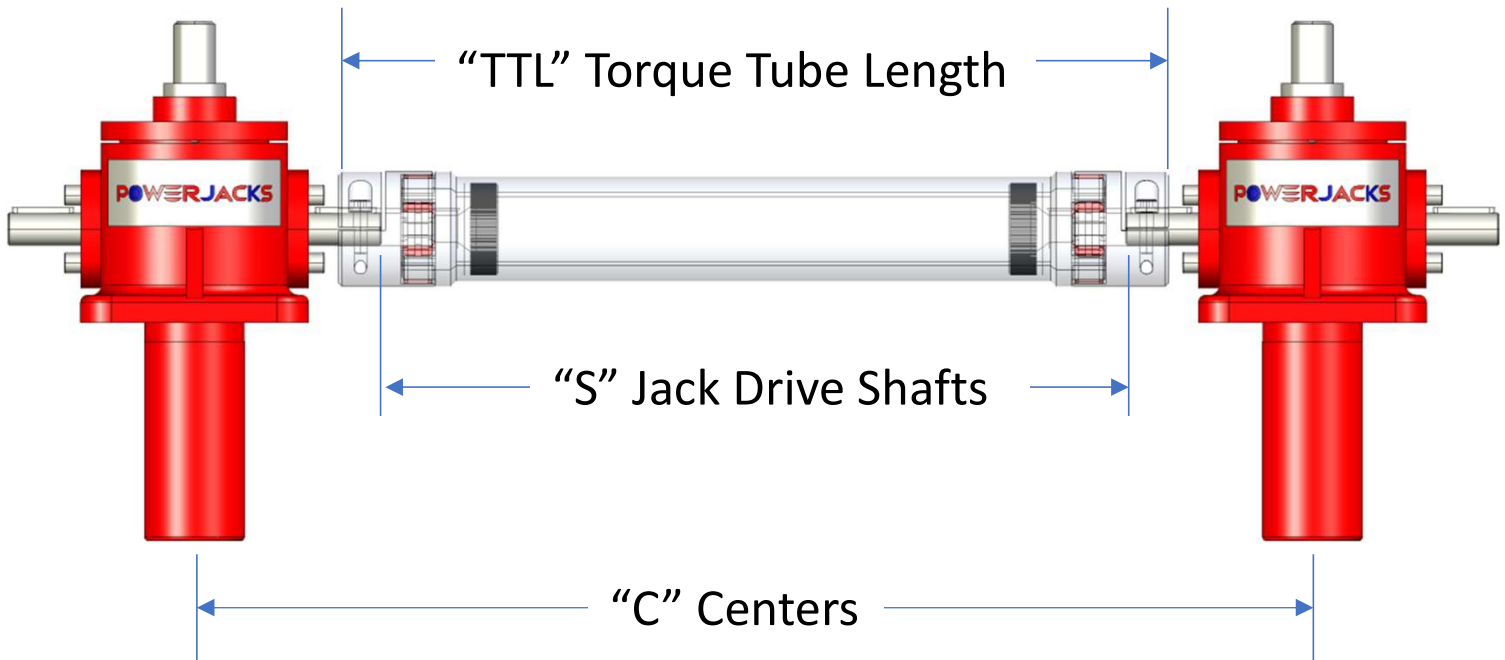


Metric Units

*C= Clearance Diameter



<u>Part Number</u>	<u>Rated Torque</u>	<u>Max Speed</u>	<u>OD</u>	<u>B1</u>	<u>K1</u>	<u>B2</u>	<u>K2</u>	<u>L</u>
PJUS-24AL-16MK-16MK	34 Nm	8000 rpm	40	16	5	16	5	78
PJUS-28AL-19MK-19MK	95 Nm	8000 rpm	48	19	6	19	6	90
PJUS-42CI-25MK-25MK	264 Nm	5000 rpm	75	25	8	25	8	126
PJUS-42CI-28MK-28MK	264 Nm	5000 rpm	75	28	8	28	8	126



Rating	Model Jack Size	TT Size	TT OD	"S" Shaft Spacing	"TTL" Torque Tube Length
*10Kn (1.1T)	0010 Kn	25mm	40mm	"S" = "C" – 150 mm	"TTL" = "C" – 115 mm
25Kn (2.8T)	0025 Kn	35mm	55mm	"S" = "C" – 180 mm	"TTL" = "C" – 139 mm
50Kn (5.5T)	0050 Kn	35mm	55mm	"S" = "C" – 230 mm	"TTL" = "C" – 189 mm
100Kn (11T)	0100 Kn	80mm	65mm	"S" = "C" – 280 mm	"TTL" = "C" – 234 mm

POWERJACKS USA FLOATING SHAFT – TORQUE TUBE PART NUMBERING GUIDE

- *0010 Kn – PN: **TT25-TTL-14000K-14000K** (at 1750 rpm do not exceed lengths of "TTL"=950mm)
- 0025 Kn – PN: **TT35-TTL-16000K-16000K** (at 1750 rpm do not exceed lengths of "TTL"=1150mm)
- 0050 Kn – PN: **TT35-TTL-19000K-19000K** (at 1750 rpm do not exceed lengths of "TTL"=1150mm)
- 0100 Kn – PN: **TT80-TTL-25000K-25000K** (at 1750 rpm do not exceed lengths of "TTL"=1750mm)

"TTL" – Replace with Torque Tube Length in mm

Example PN: TT25-400-14000K-14000K (OAL of Torque Tube = 400 mm)

TT25 rated for continuous 25Nm

TT35 rated for continuous 35Nm

TT80 rated for continuous 80Nm

*for 10kN only use "T" or "H" Style 4-bolt flange [STYLE 3 BASE MOUNTING]

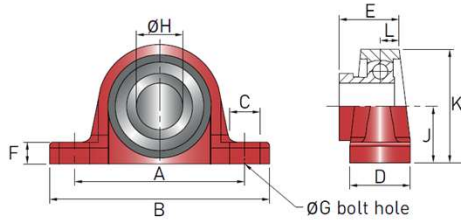

2 JACK SHARED LOADING
Evenly Distributed Loading

<u>TOTAL LOAD</u>	<u>Req'd HP</u>	<u>Compressive Stroke Max</u>	<u>Max Speed</u>	<u>Jack Size</u>	<u>Ratio</u>	<u>Lead</u>
2500 lbs	1.0 HP	25 in.	0.75 in/s	*0010 Kn	5:1	5 mm
2500 lbs	1.0 HP	70 in.	0.75 in/s	0025 Kn	6:1	6 mm
2500 lbs	1.5 HP	120 in.	0.75 in/s	0050 Kn	6:1	9 mm
2500 lbs	1.5 HP	220 in.	0.75 in/s	0100 Kn	8:1	12 mm
4000 lbs	3.0 HP	50 in.	1.1 in/s	0025 Kn	6:1	6 mm
4000 lbs	3.0 HP	95 in.	1.1 in/s	0050 Kn	6:1	9 mm
4000 lbs	3.0 HP	195 in.	1.1 in/s	0100 Kn	8:1	12 mm
5000 lbs	3.0 HP	50 in.	0.90 in/s	0025 Kn	6:1	6 mm
5000 lbs	3.0 HP	85 in.	0.90 in/s	0050 Kn	6:1	9 mm
5000 lbs	3.0 HP	165 in.	0.90 in/s	0100 Kn	8:1	12 mm
7500 lbs	5.0 HP	40 in.	0.90 in/s	0025 Kn	6:1	6 mm
7500 lbs	5.0 HP	70 in.	0.90 in/s	0050 Kn	6:1	9 mm
7500 lbs	5.0 HP	125 in.	0.90 in/s	0100 Kn	8:1	12 mm
10000 lbs	5.0 HP	25 in.	0.90 in/s	0025 Kn	6:1	6 mm
10000 lbs	5.0 HP	60 in.	0.90 in/s	0050 Kn	6:1	9 mm
10000 lbs	7.5 HP	110 in.	0.90 in/s	0100 Kn	8:1	12 mm
15000 lbs	7.5 HP	50 in.	0.80 in/s	0050 Kn	6:1	9 mm
15000 lbs	7.5 HP	90 in.	0.80 in/s	0100 Kn	8:1	12 mm
20000 lbs	7.5 HP	40 in.	0.60 in/s	0050 Kn	6:1	9 mm
20000 lbs	10.0 HP	75 in.	0.80 in/s	0100 Kn	8:1	12 mm

*for 10kN only use "T" or "H" Style 4-bolt flange [STYLE 3 BASE MOUNTING]

One Piece Housing Plummer Block

US Part Number Example: PJUS-PB20STD



Size	A	B	C	D	E	F	G	H	J	K	L	Weight (kg)
20	96	127	20.5	32	34	14	10	20	33.33	65	10.5	0.6
30	121	152	23.5	40	39.2	17	12	30	42.9	82.5	12.5	1.1
40	136	175	24.5	48	47.7	19	12	40	49.2	99	15	1.9
50	159	203	26	54	49.7	22	16	50	57.2	115	17	2.8
60	186	240	29.5	60	60.5	26.5	16	60	69.9	138	21	4.5

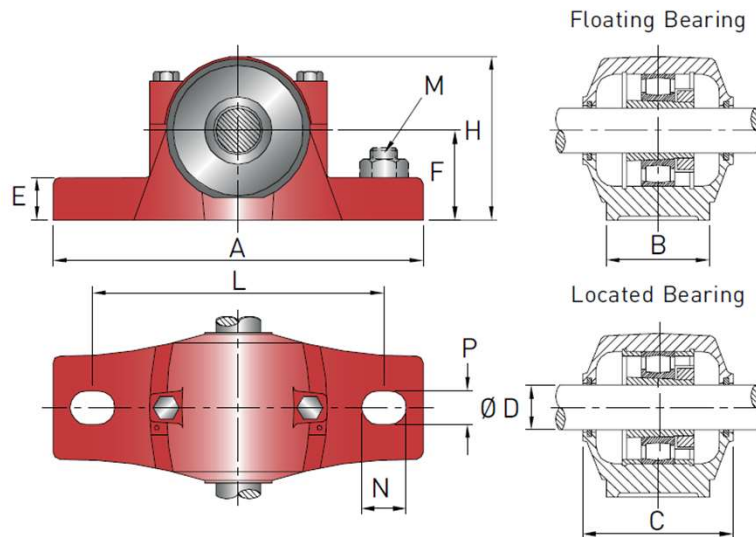
Note

1. All dimensions in mm.
2. Bore diameter tolerances: (H6+H7)/2.
3. Material: Cast Iron housing with eccentric locking ring.
4. Dimensions are subject to change without notice.
5. For other styles and sizes of Plummer Blocks consult Power Jacks Ltd.

Split Housing Plummer Block

US Part Number Example: PJUS-SB20STD

Plummer blocks are to DIN736 with anti-friction bearings with tapered bores and adapter sleeve. The housings are made of cast iron and are sealed with felt strips on both sides. The housings are designed to allow floating or located bearings (bearing position set with one or two locating rings). It is recommended when arranging drive systems only one plummer block with located bearing is used in one drive line, to avoid distortion of the drive.



ØD	A	B	C	E	F	H	L	M	N	P	Weight (kg)
20	165	46	67	19	40	72	130	M12	20	15	1.4
30	185	52	80	22	50	92	150	M12	20	15	2
40	205	60	82	25	60	109	170	M12	20	15	2.9

Note

1. All dimensions in mm.
2. For other styles and sizes of Plummer Blocks consult Power Jacks Ltd.
3. Dimensions are subject to change without notice.

Always check Pony Express Delivery Options

POWERJACKS-USA
FAST DELIVERY PROGRAM
PONY EXPRESS



POWERJACKS-USA
FAST DELIVERY PROGRAM
PONY EXPRESS

Screw Jacks

POWERJACKS-USA
FAST DELIVERY PROGRAM
PONY EXPRESS

www.pjusa-ponyexpress.com

POWERJACKS-USA
FAST DELIVERY PROGRAM
PONY EXPRESS



POWERJACKS-USA
FAST DELIVERY PROGRAM
PONY EXPRESS

POWERJACKS-USA
PRECISION ACTUATION